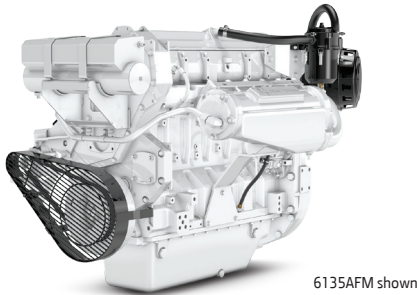
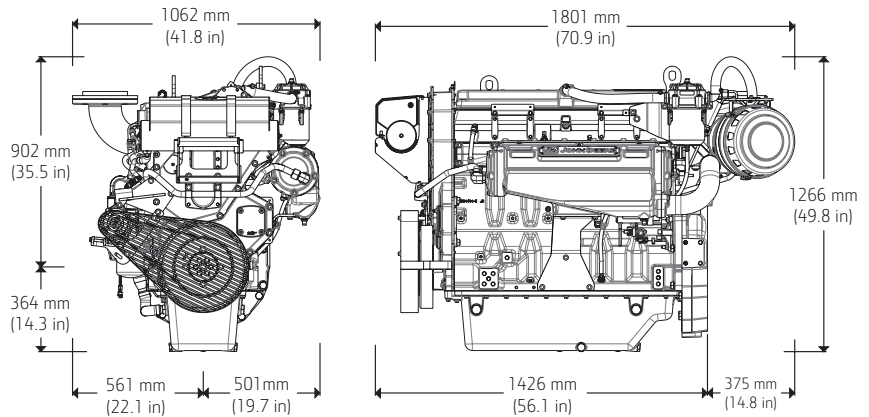


PowerTech™ 6135AFM85 Diesel Engine

Marine Propulsion Engine Specifications



Dimensions



Dimensions shown in mm (in) may vary according to options selected.
Contact your distributor for more information.

Emissions

EPA Commercial Marine Tier 3
IMO MARPOL Annex VI Compliant
NRMM (97/68/EC) as amended

General Data (based on standard option configuration)

Model	6135AFM85
Number of cylinders	6
Displacement – L(cu in)	13.5 (824)
Bore and Stroke – mm (in)	132 x 165 (5.2 x 6.5)
Engine Type	In-line, 4-cycle
Aspiration	Turbocharged and air-to-coolant aftercooled

Length maximum – mm (in)	1801 (70.9)
Length to rear face of flywheel housing – mm (in)	1426 (56.1)
Flywheel housing SAE	SAE #1
Width maximum – mm (in)	1062 (41.8)
Crankshaft centerline right – mm (in)	501 (19.7)
Crankshaft centerline left – mm (in)	561 (22.1)
Height – mm (in)	1266 (49.8)
Height, crankshaft centerline to top – mm (in)	902 (35.5)
Height, crankshaft centerline to bottom – mm (in)	364 (14.3)
Weight, dry – kg (lb)	1410 (3108)

Classification Societies

SOLAS – Accessories available*
ABS, DNV, BV, LR

*Other accessories available. Contact your distributor for details.

Engine Specifications

Performance ratings	Power kW (bhp)	Rated Speed (rpm)	Rated fuel consumption L/hr (gal/hr)
M1	272 (365)	1800	76.7 (20.3)
M2	317 (425)	1900	86.2 (22.8)
M3	373 (500)	2000	102 (27.0)
M4	429 (575)	2100	119 (31.4)

Metric hp = Brake hp x 1.01387

M rating	M1	M2	M3	M4
Typical load factor	>65%	≤65%	≤50%	≤40%
Typical Annual Usage (hr)	Unrestricted	3,000-5,000	2,000-4,000	1,000-3,000
Typical full-power operation (hr)	Uninterrupted	16 of each 24 hr	4 of each 12 hr	1 of each 12 hr

Ratings are based on ISO 8655 standard power rating and the SAE J1228 crankshaft power rating.

For easier installation, JDPS offers a range of options to fit your needs.

See your John Deere Power Systems engine distributor or marine dealer for more detailed performance information.

Features and Benefits

High-torque and low rated RPM

- High torque provides excellent vessel control and maneuverability
- Lower rated propulsion RPM reduces vibration and noise for improved crew comfort

Electronic unit injectors (EUI)

- The EUI fuel system provides higher injection pressures
- Controls fuel injection timing and provides precise control for start, duration, and end of injection

Replaceable cylinder liners

- Replaceable wet-type cylinder liners are precision-machined and hardened for long life
- Allows engine to be rebuilt to original specifications

Multiple service options

- Either-side oil fill/dipstick combinations and remote oil filter options are available for easier service access

4-valve cylinder head

- Excellent airflow through 4-valve cylinder head delivers greater low-speed torque and better transient response time

Water-cooled exhaust manifold

- Integrated components eliminate external hoses and fittings that can leak or break
- Wet exhaust manifold creates a cooler and quieter environment for passengers and crew

Electronic engine control unit (ECU)

- Advanced fault code diagnostics and customizable engine protections ensure reliability and uptime
- Provides highly customizable features and trim to integrate your vessel

Keel-cooled or heat exchanger

- Closed cooling system in keel-cooled engine option eliminates the need for a sea strainer, seawater pump, or anodes
- Heat exchanger option offers a lighter, more compact, and simpler installation for the vessel

John Deere Power Systems
3801 W. Ridgeway Ave.
PO Box 5100
Waterloo, IA 50704-5100
Phone: 800.553.6446
Fax: 319.292.5075

John Deere Power Systems
Usine de Saran
La Foulonnerie B.P. 11.13
45401 Fleury les Aubrais Cedex
France
Phone: 33.2.38.82.61.19
Fax: 33.2.38.82.60.00

All values at rated speed and power with standard options unless otherwise noted. Specifications and design subject to change without notice.